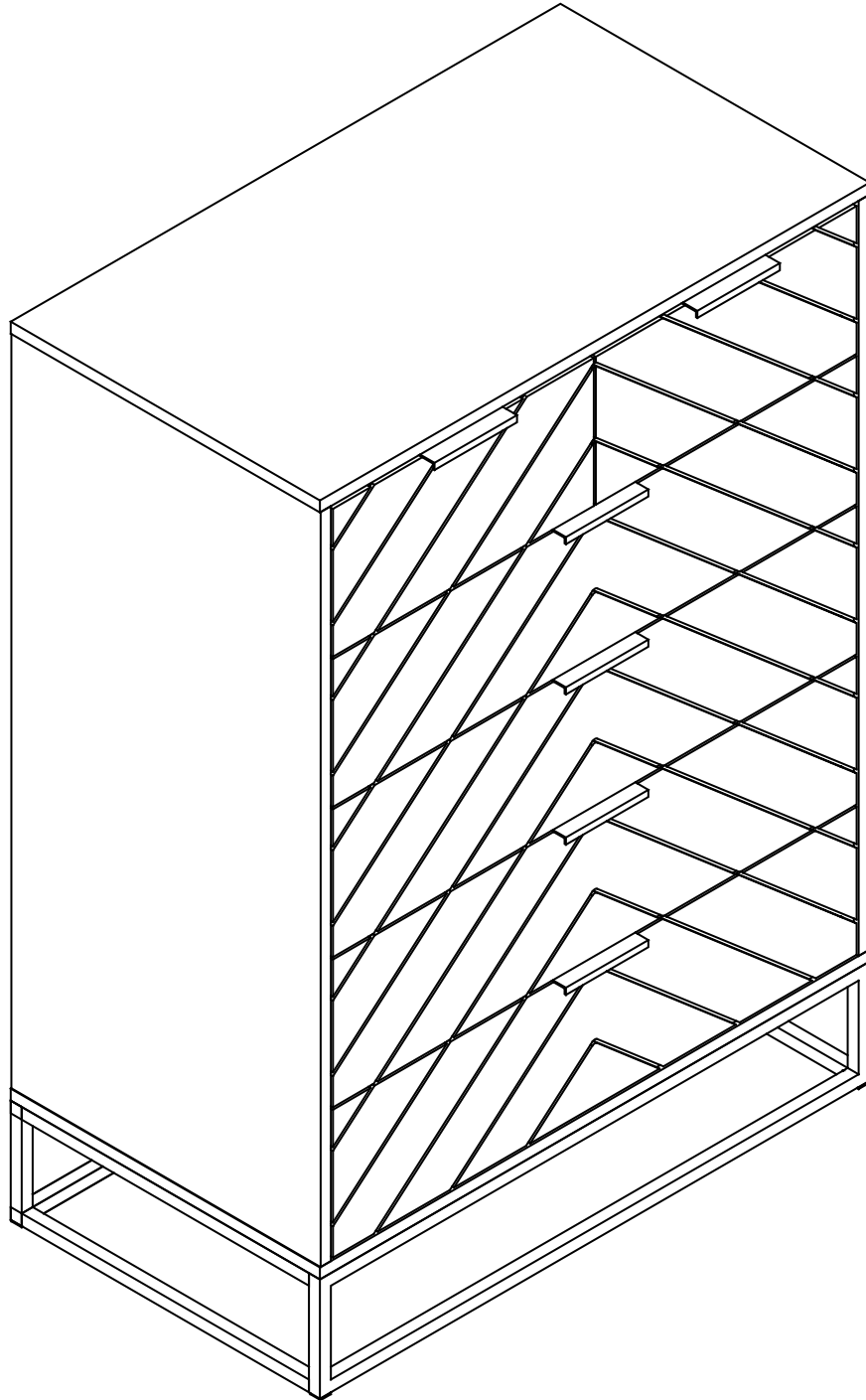


Inca

Tallboy

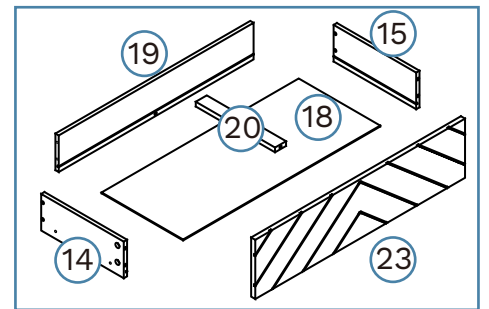
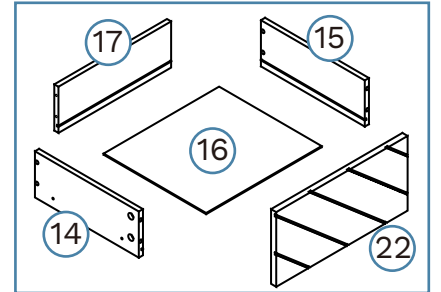
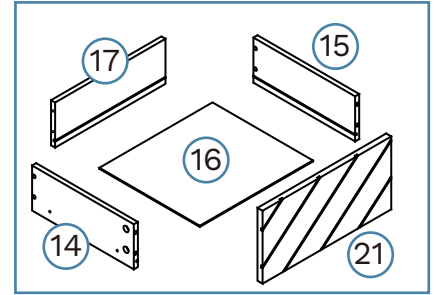
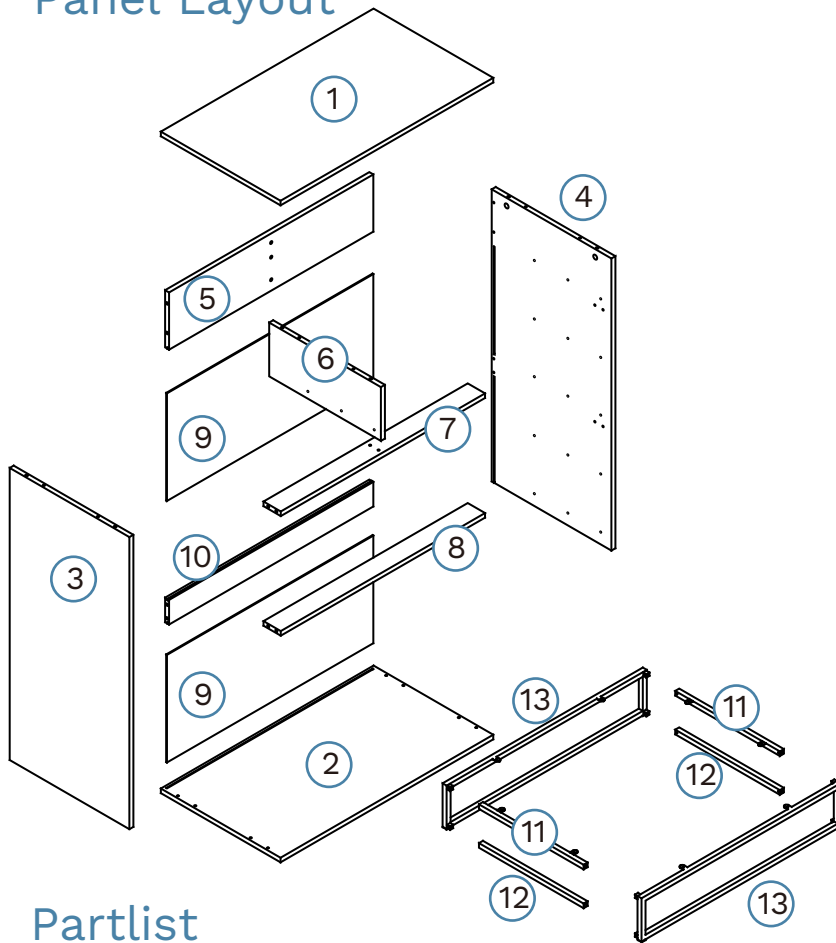
Thank you for your purchase. Please follow the instructions for correct assembly. While we took great effort to ensure these assembly instructions were correct at the time of printing, sometimes updates are required post production. For the most up to date versions please refer to the product page on our website. mocka.com.au/mocka.co.nz



Inca

Tallboy

Panel Layout









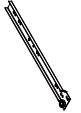





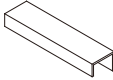



x4

Partlist





①	Top Panel	x1	⑬	Leg	x2
②	Bottom Panel	x1	⑭	Left Drawer Side	x6
③	Left Side Panel	x1	⑮	Right Drawer Side	x6
④	Right Side Panel	x1	⑯	Drawer Base	x2
⑤	Back Panel	x1	⑰	Drawer Back	x2
⑥	Divider	x1	⑱	Drawer Base	x4
⑦	Rail	x1	⑲	Drawer Back	x4
⑧	Rail	x1	⑳	Rail	x4
⑨	Back Panel	x2	㉑	Drawer Front	x1
⑩	Rail	x1	㉒	Drawer Front	x1
⑪	Rail	x2	㉓	Drawer Front	x4
⑫	Rail	x2			

Inca

Tallboy

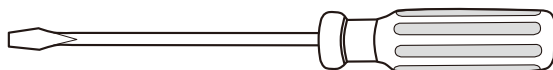
A  dowel x 10	B  screw x 8	C  bolt x 50	D  locking nut x 50	E  screw x 72	CL  slide rail x 6	CR  slide rail x 6	DL  slide rail x 6
DR  slide rail x 6	J  wedge x 8	K  screw x 8	L  bolt x 8	M  handle x 6	N  small screw x 8	O  screw x 28	P  Allen Key x 1

HARDWARE SUPPLIED

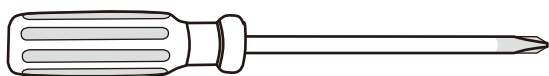
V  safety strap x 1	W  screw x 1	X  wall anchor x 1	Y  wall screw x 1	Z  washer x 2
--	---	---	--	--

WALL STRAP

WARNING: Any furniture that is not anchored to a wall has the potential to tip over in certain circumstances, i.e. if a child attempts to climb up on the furniture or in the event of an earthquake. Accordingly, we recommend that all furniture is anchored to a wall. We supply a free safety wall anchor with all furniture sold and we recommend these are used to prevent your product tipping. The fixing device provided should fit most wall types, but please note that different wall materials may require different fixing devices from those supplied.



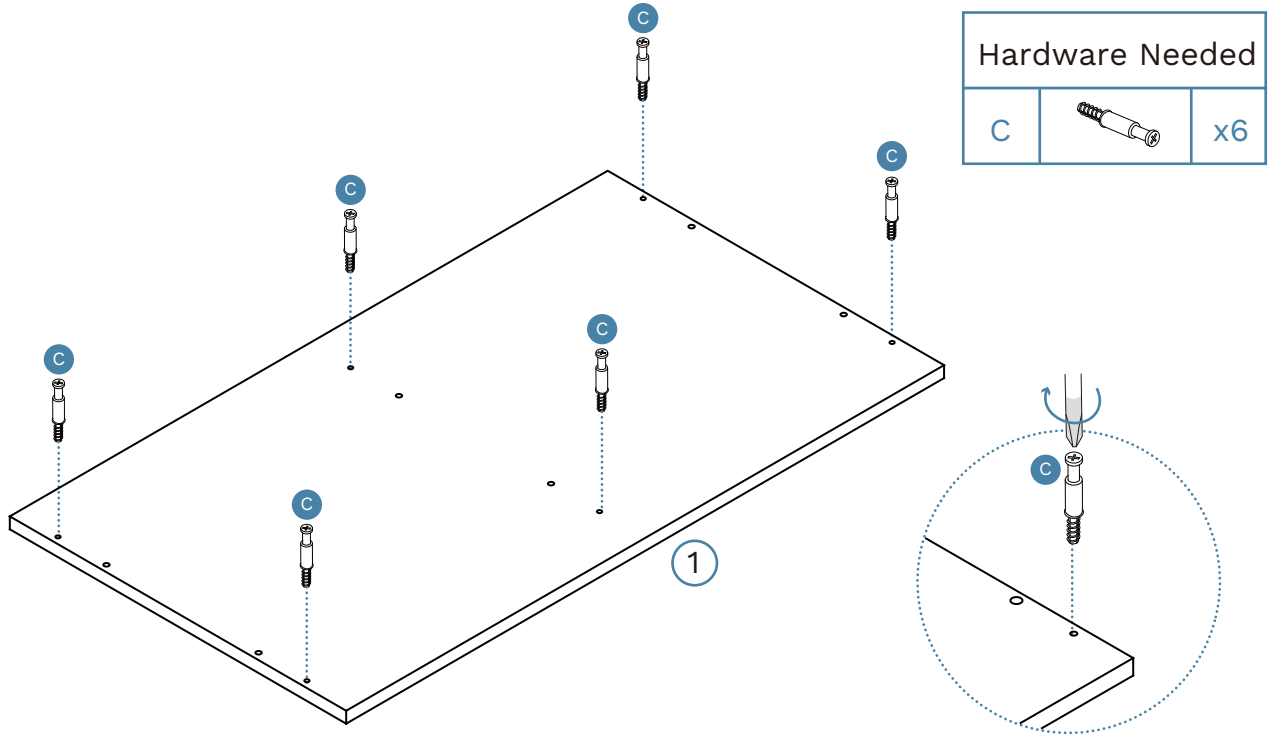
Phillips & Flathead screwdrivers required




For quicker assembly, we recommend the use of a power drill on a low-speed setting.

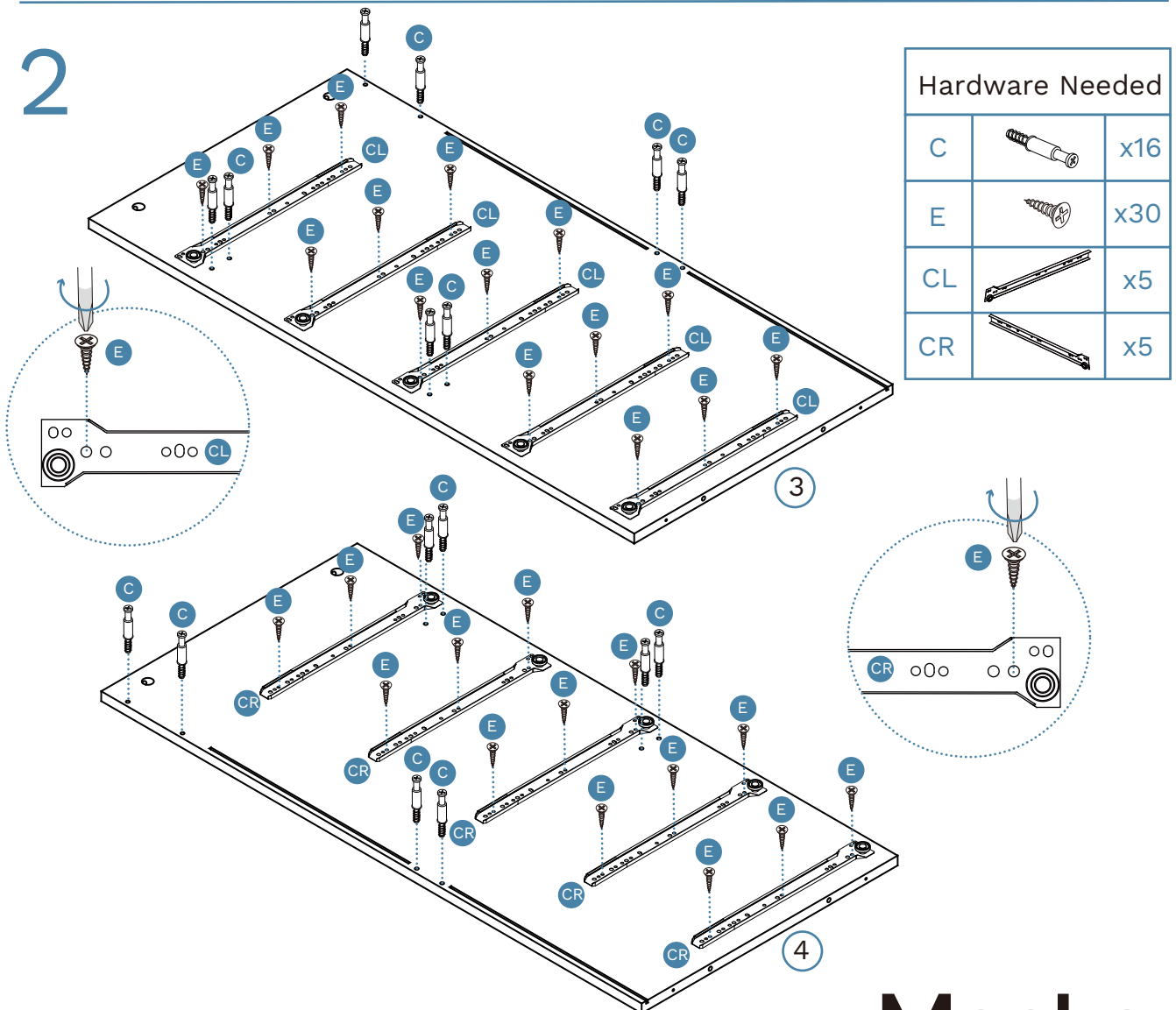
Inca Tallboy





1



Hardware Needed		
C		x6

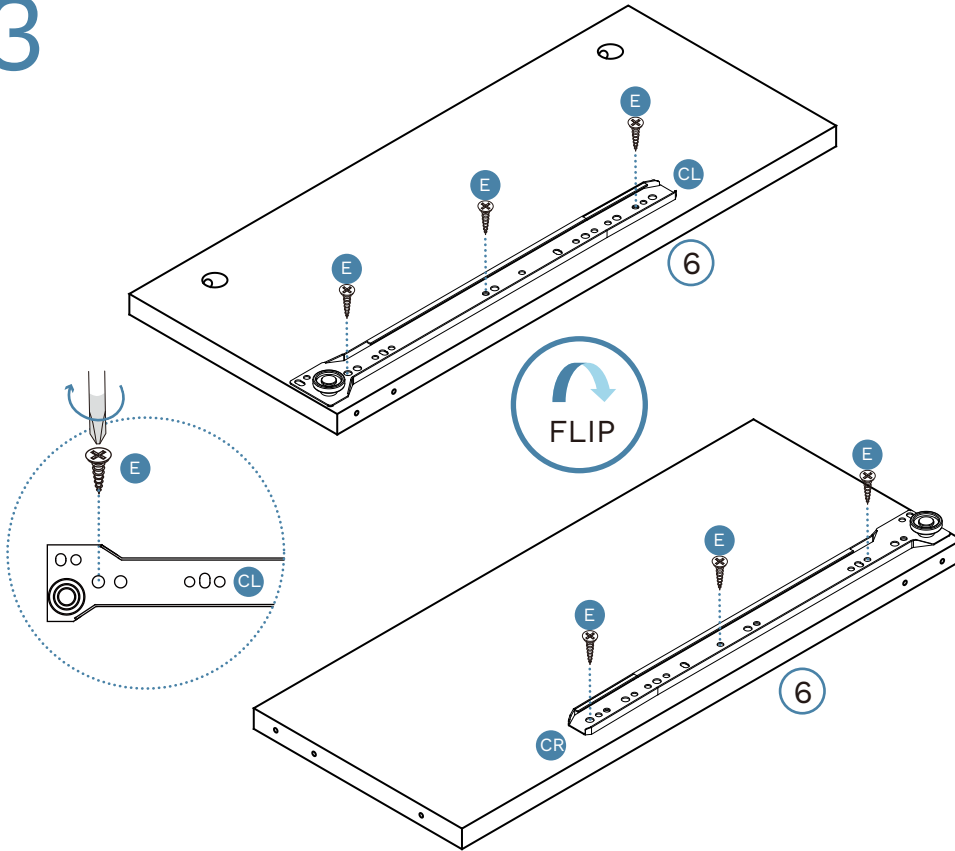
2






Hardware Needed		
C		x16
E		x30
CL		x5
CR		x5

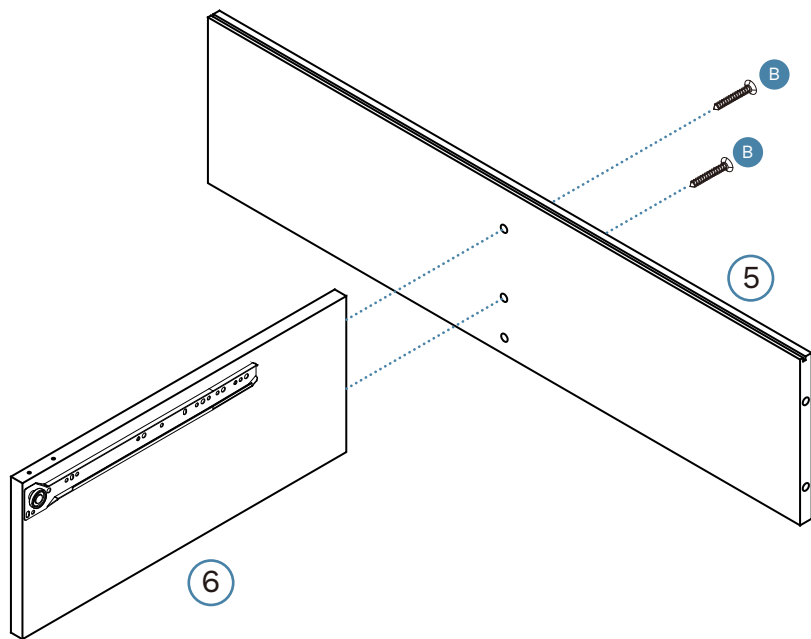
Inca
Tallboy


3



Hardware Needed		
E		x6
CL		x1
CR		x1

4



Hardware Needed		
B		x2

Inca Tallboy

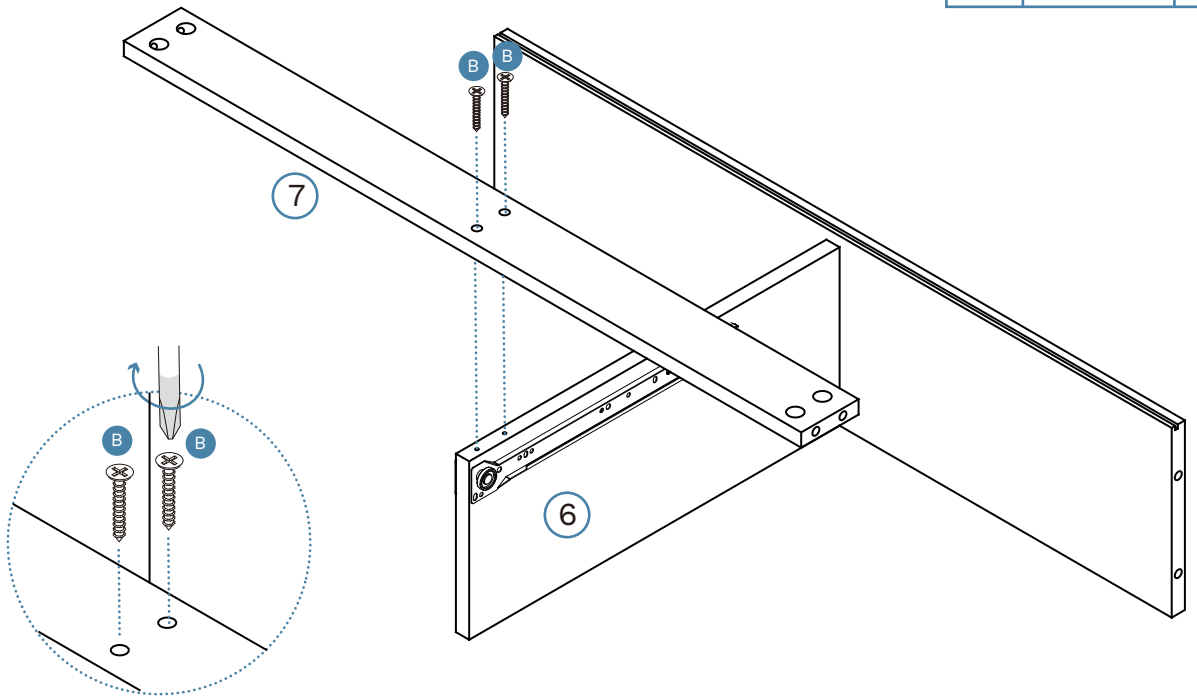
5

Hardware Needed

B



x2



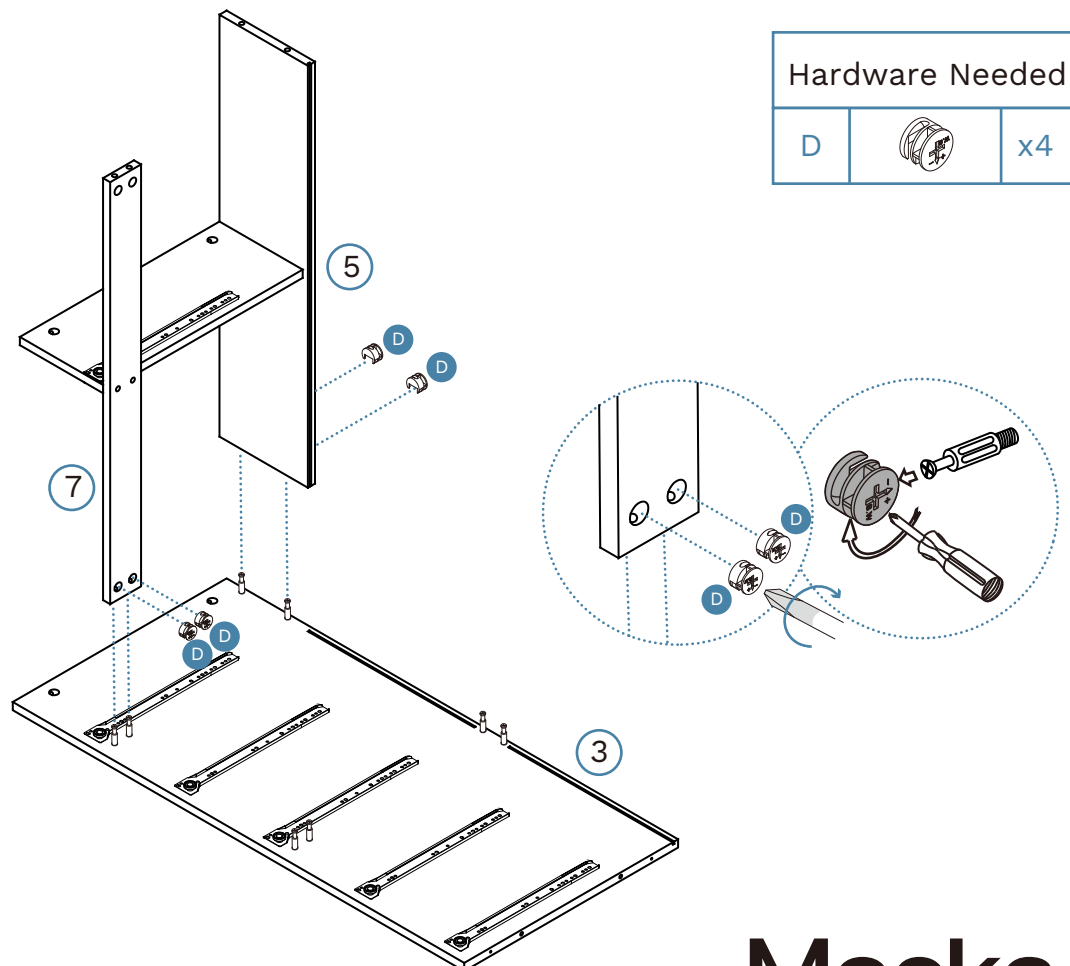
6

Hardware Needed

D

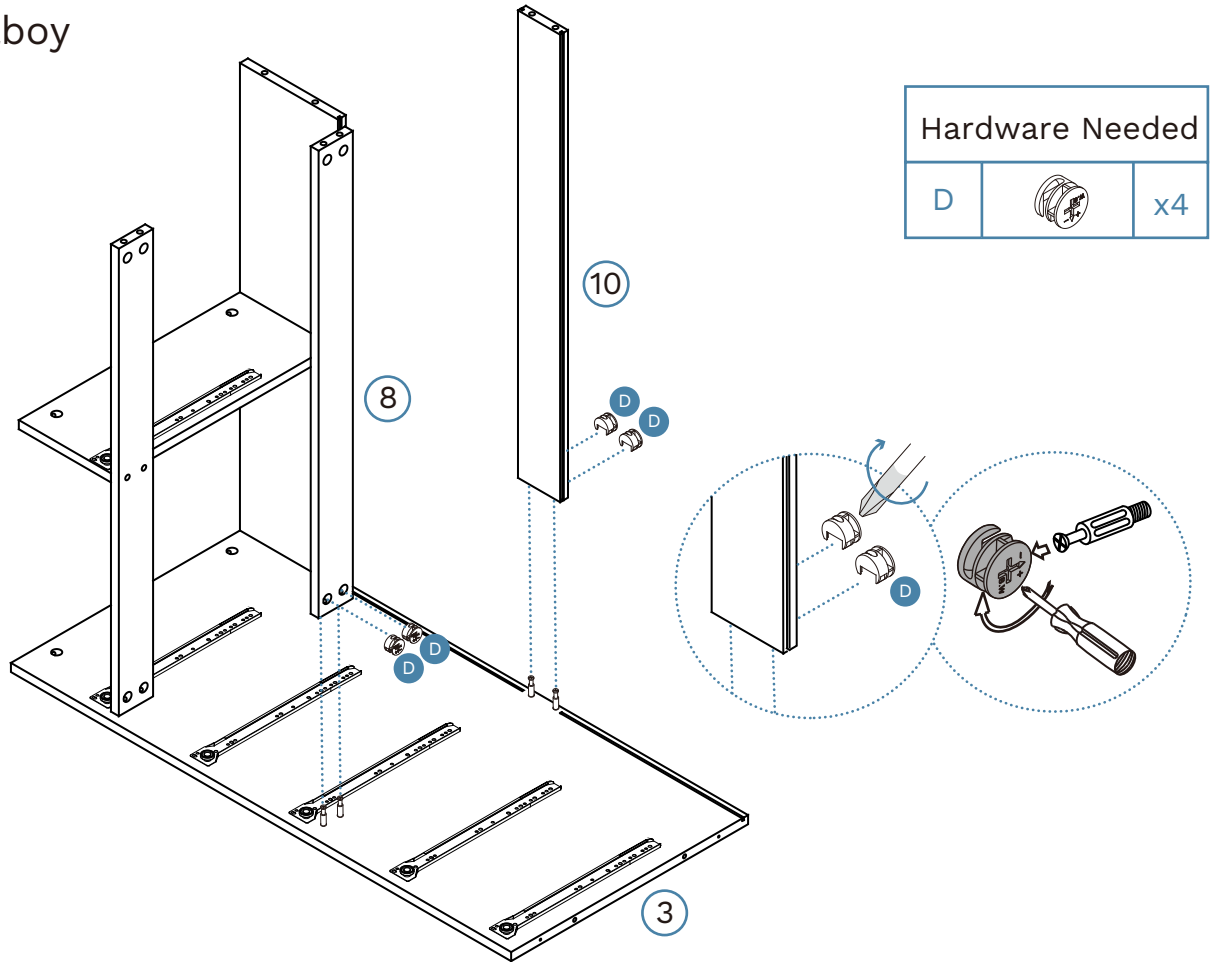


x4

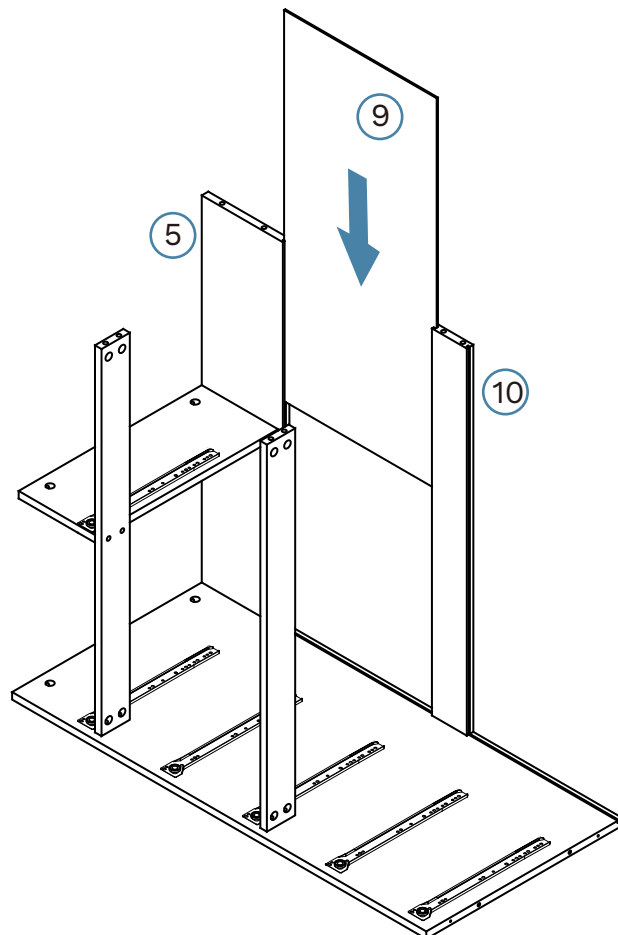


Inca Tallboy

7

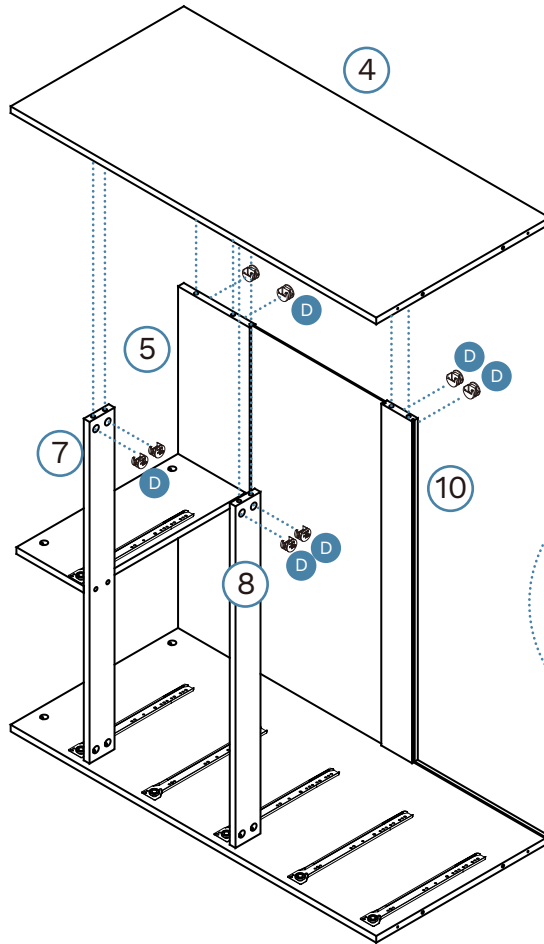



8

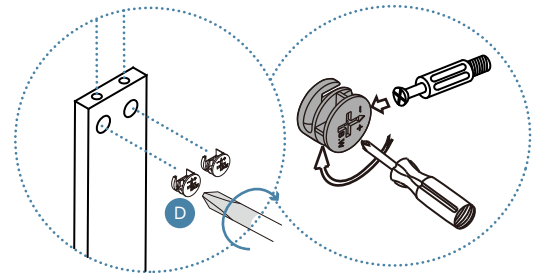


Inca
Tallboy

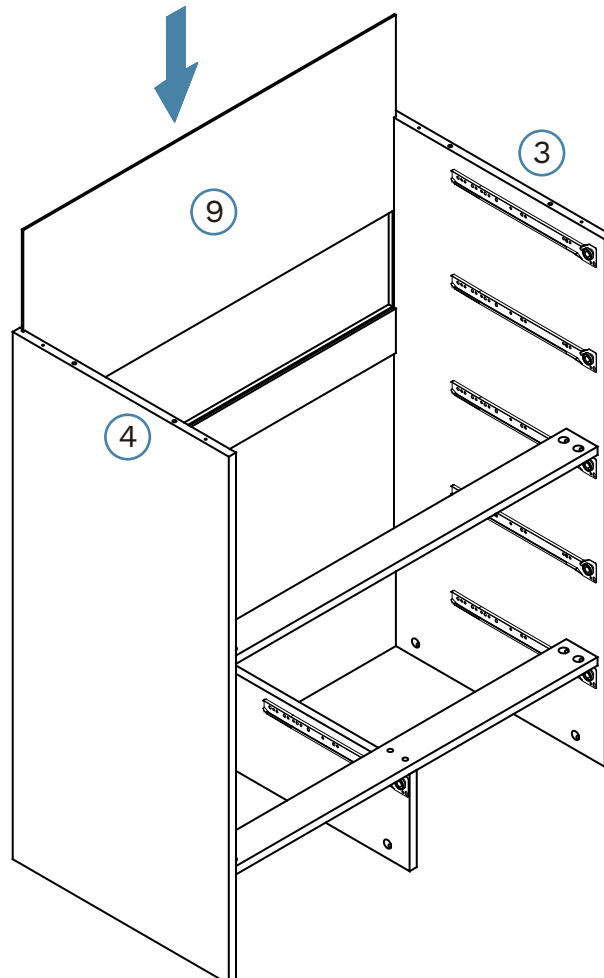
9



Hardware Needed		
D		x8

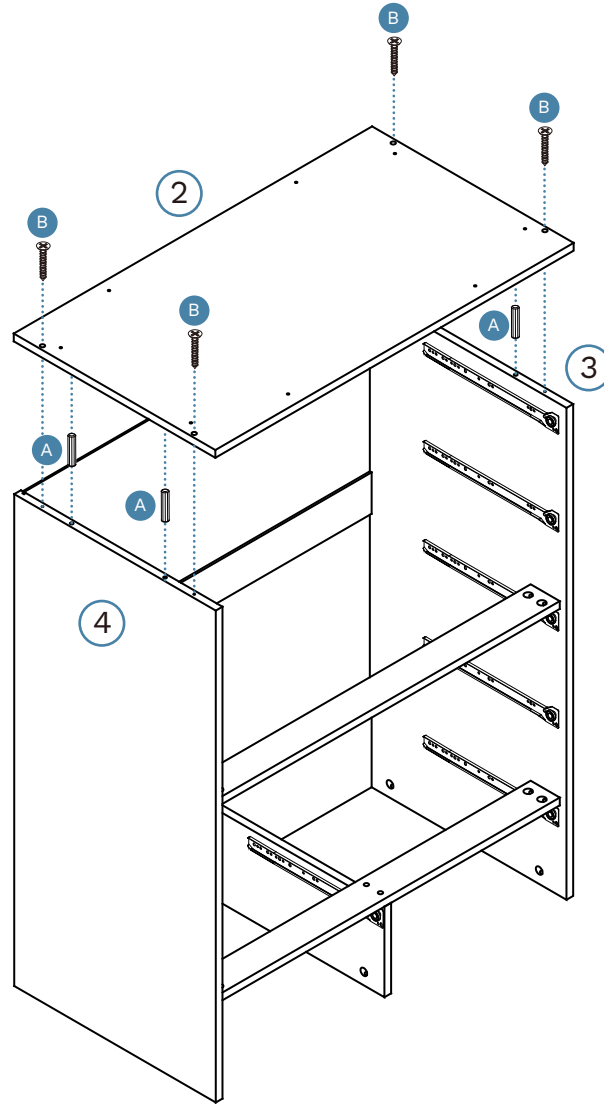




10

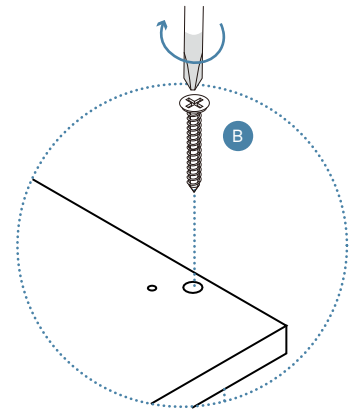


Inca
Tallboy

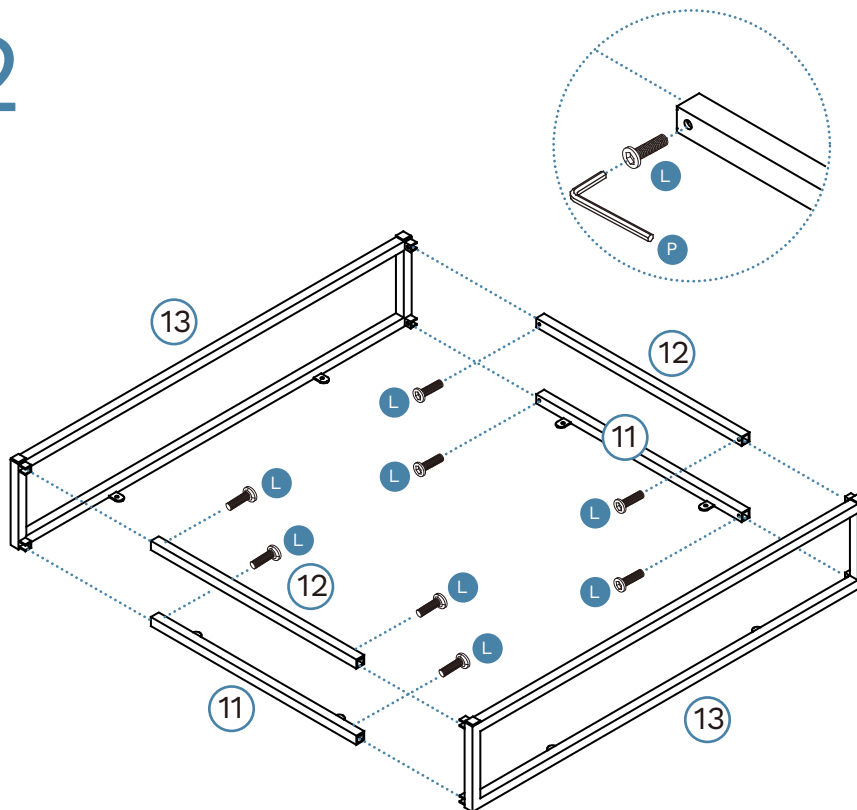
11





Hardware Needed		
A		x4
B		x4



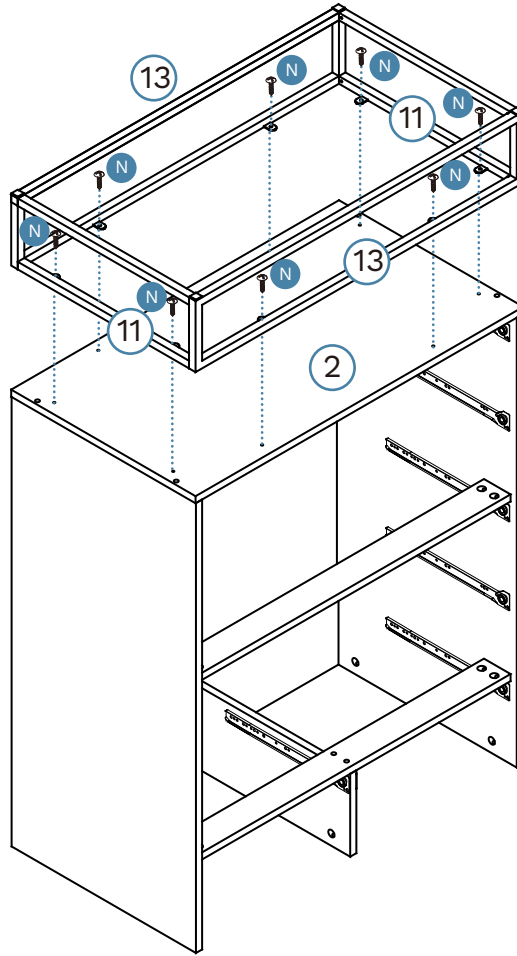
12




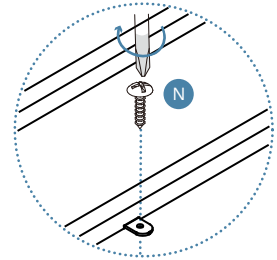
Hardware Needed		
L		x8
P		x1

Inca
Tallboy

13

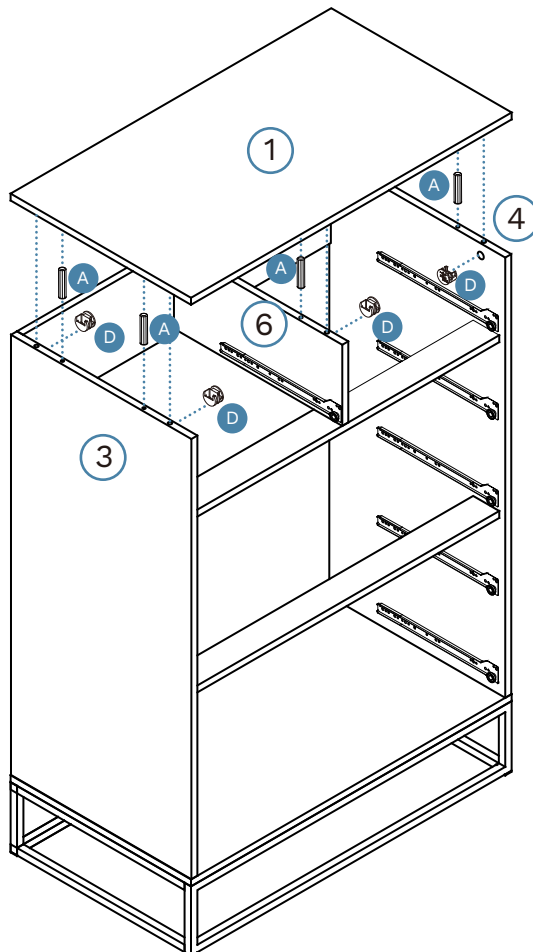


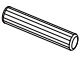

Hardware Needed		
N		x8

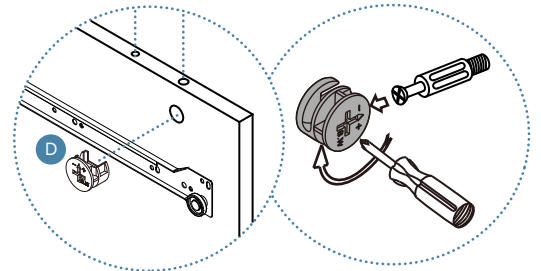


TURN OVER

14

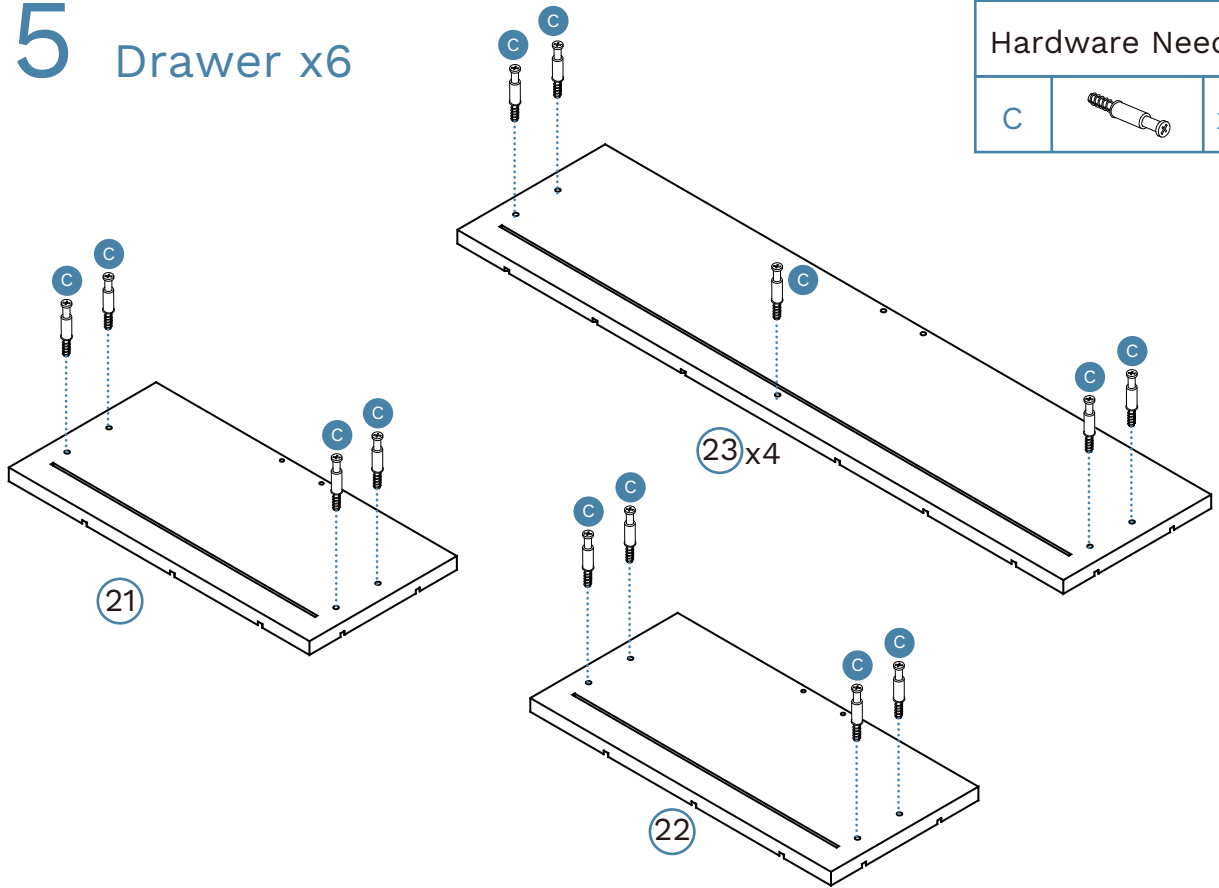



Hardware Needed		
A		x6
D		x6



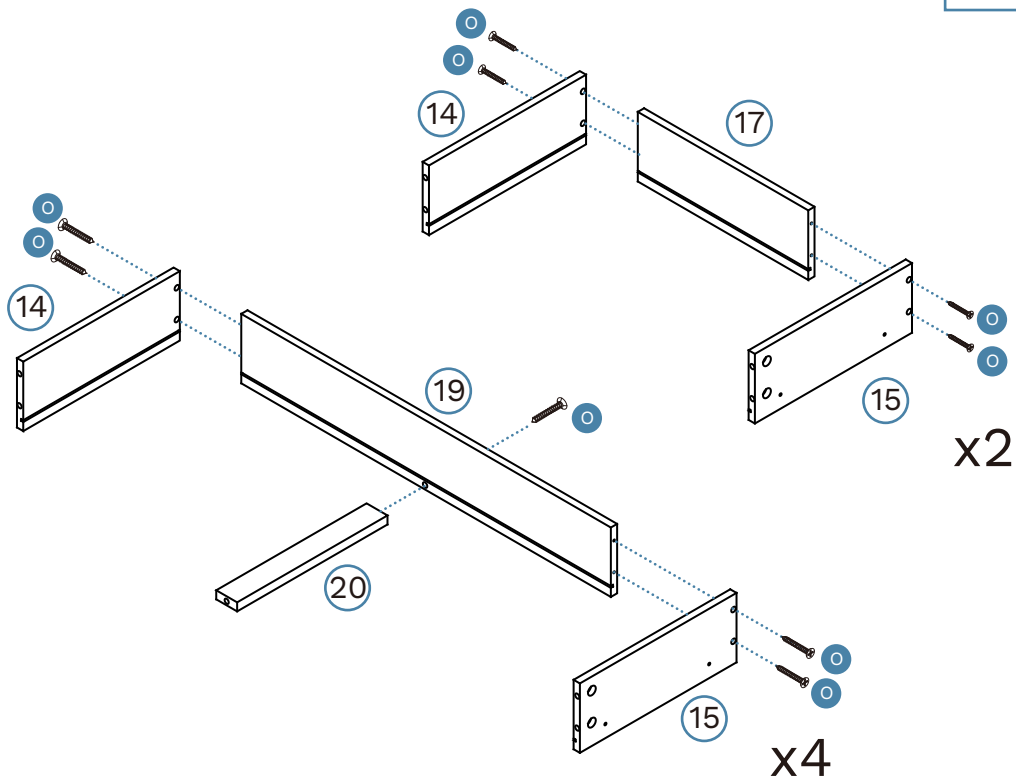
Inca
Tallboy


15 Drawer x6



Hardware Needed		
C		x28

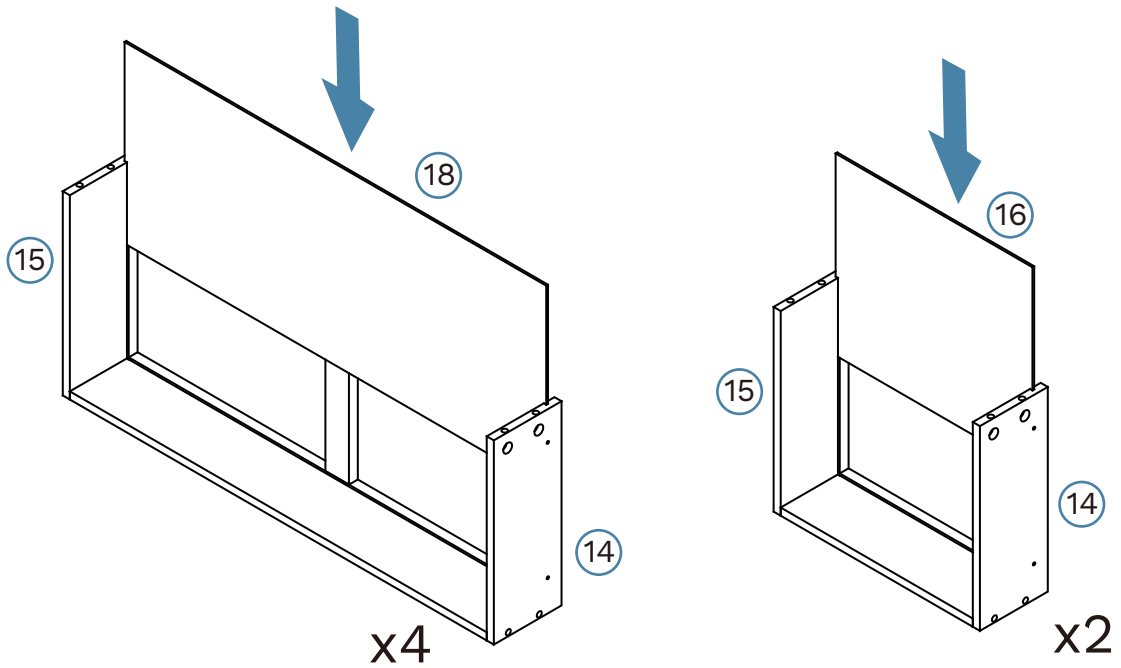
16 Drawer x6



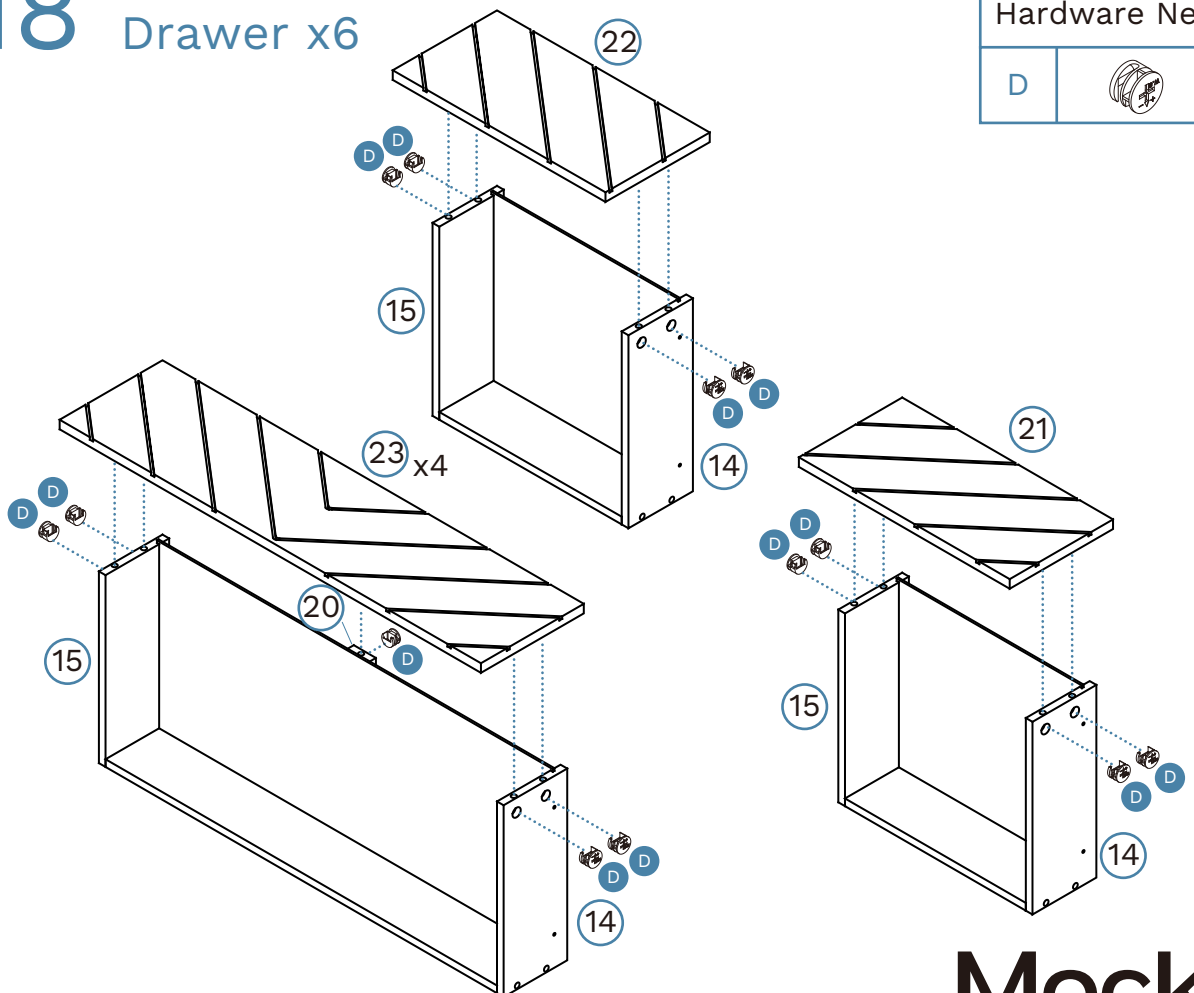
Hardware Needed		
O		x28

Inca
Tallboy

17 Drawer x6



18 Drawer x6

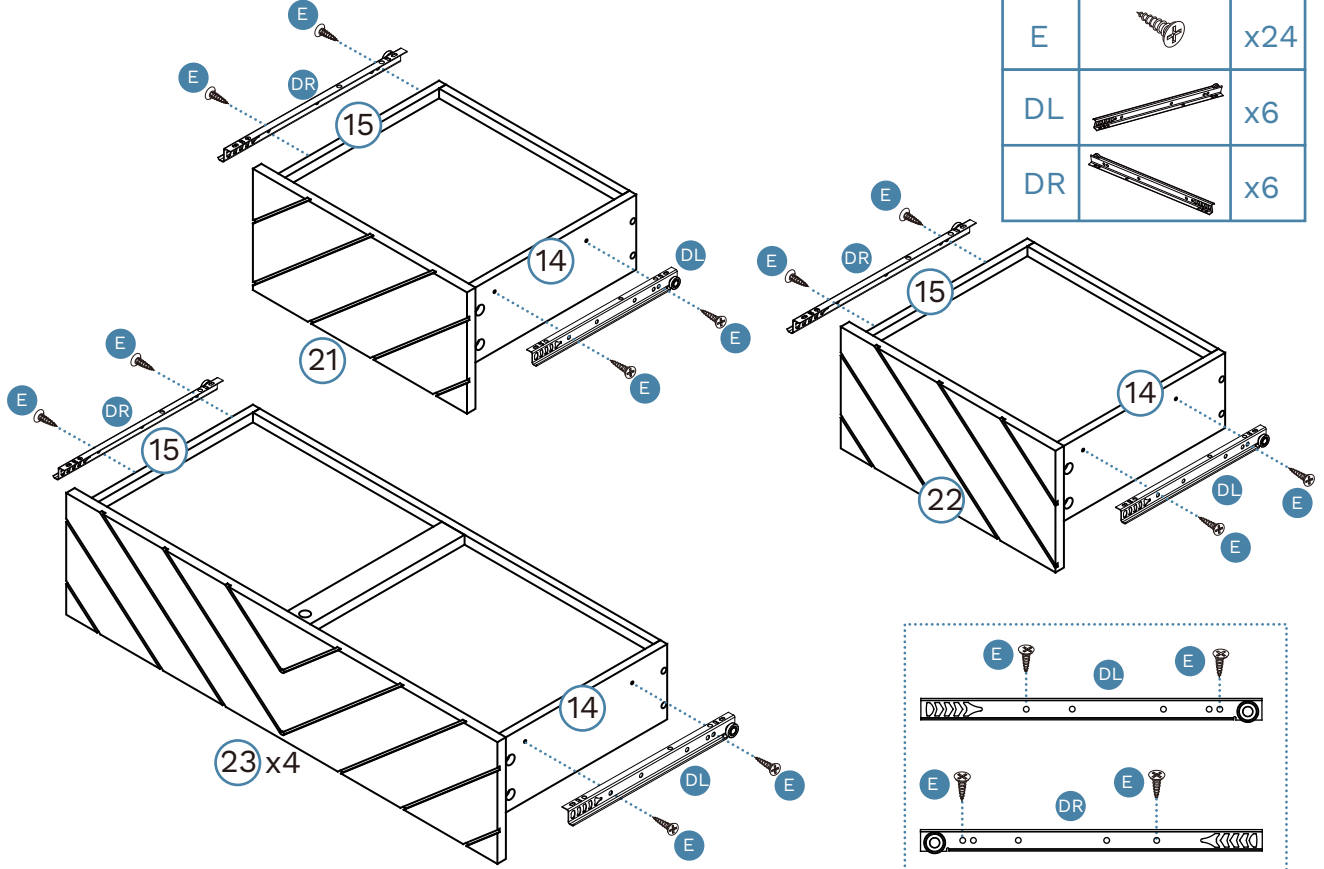


Hardware Needed

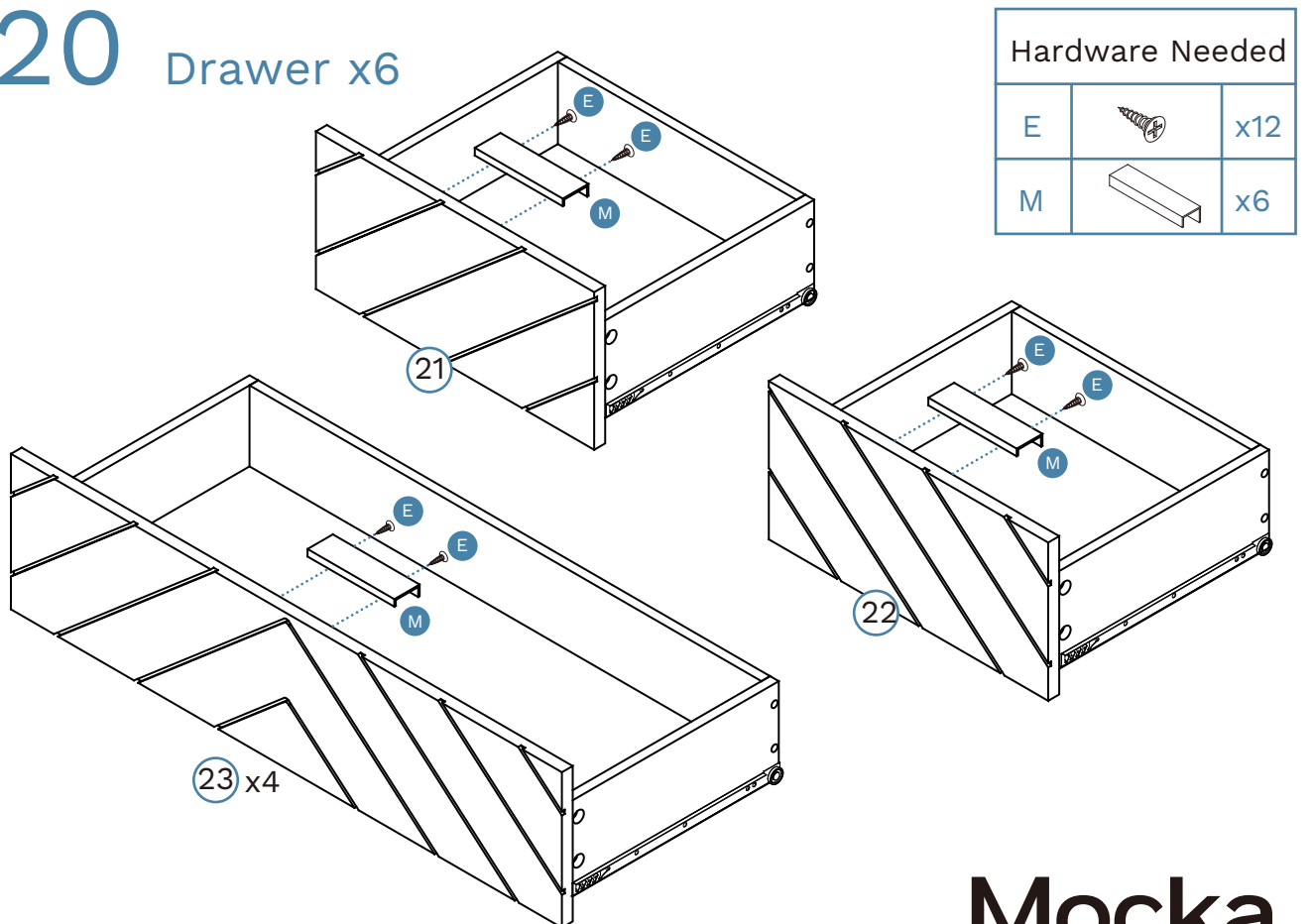
D		x28
---	--	-----

Inca
Tallboy

19 Drawer x6

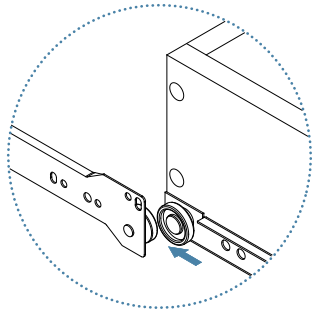


20 Drawer x6

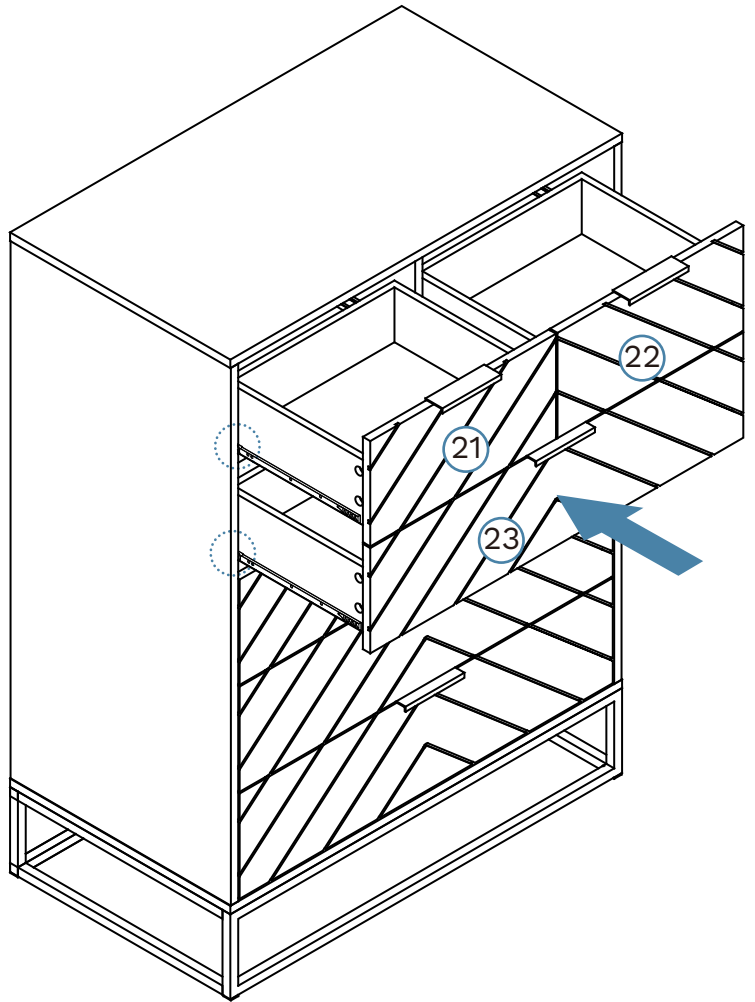


Inca
Tallboy

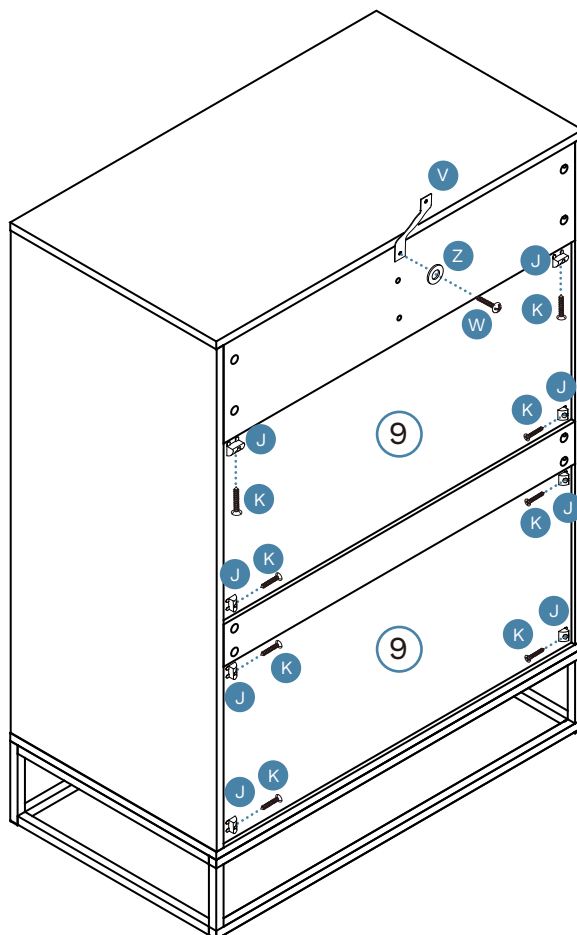
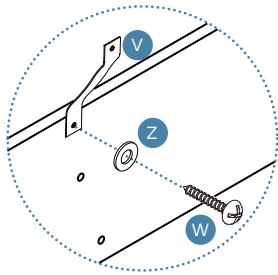
21



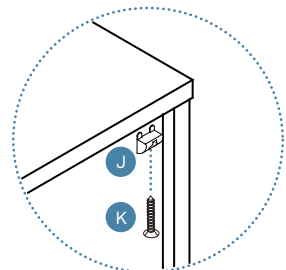
Carefully insert the drawers into the unit by gently guiding the runners into the tracks.



22

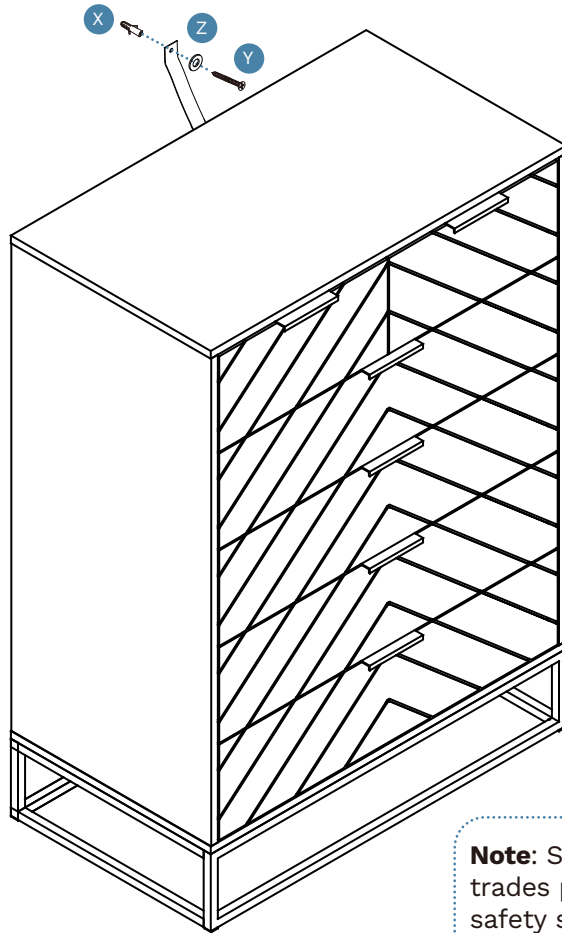
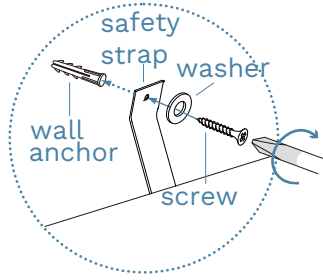


Hardware Needed		
J		x8
K		x8
V		x1
W		x1
Z		x1



Inca
Tallboy

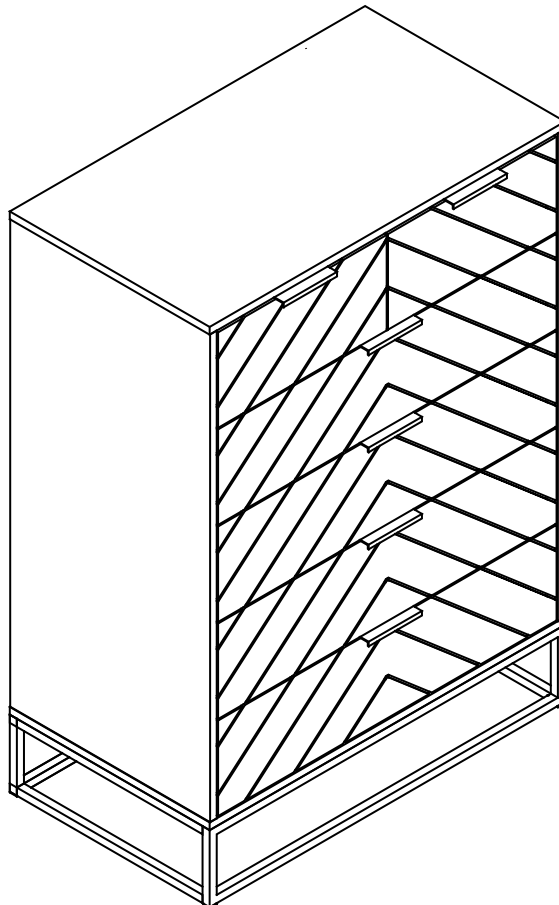
23



Hardware Needed		
X		x1
Y		x1
Z		x1

Note: Seek advice from a qualified trades person on how to attach this safety strap to your specific wall.

24



Once assembled lift furniture into place, do not drag. You're done, enjoy!